

APPLICATION: 1 Axle Spring Brake FMVS 121 Exempt

PART #: **PAKESB-1-H**

CONTENTS: Glad hand assemblies

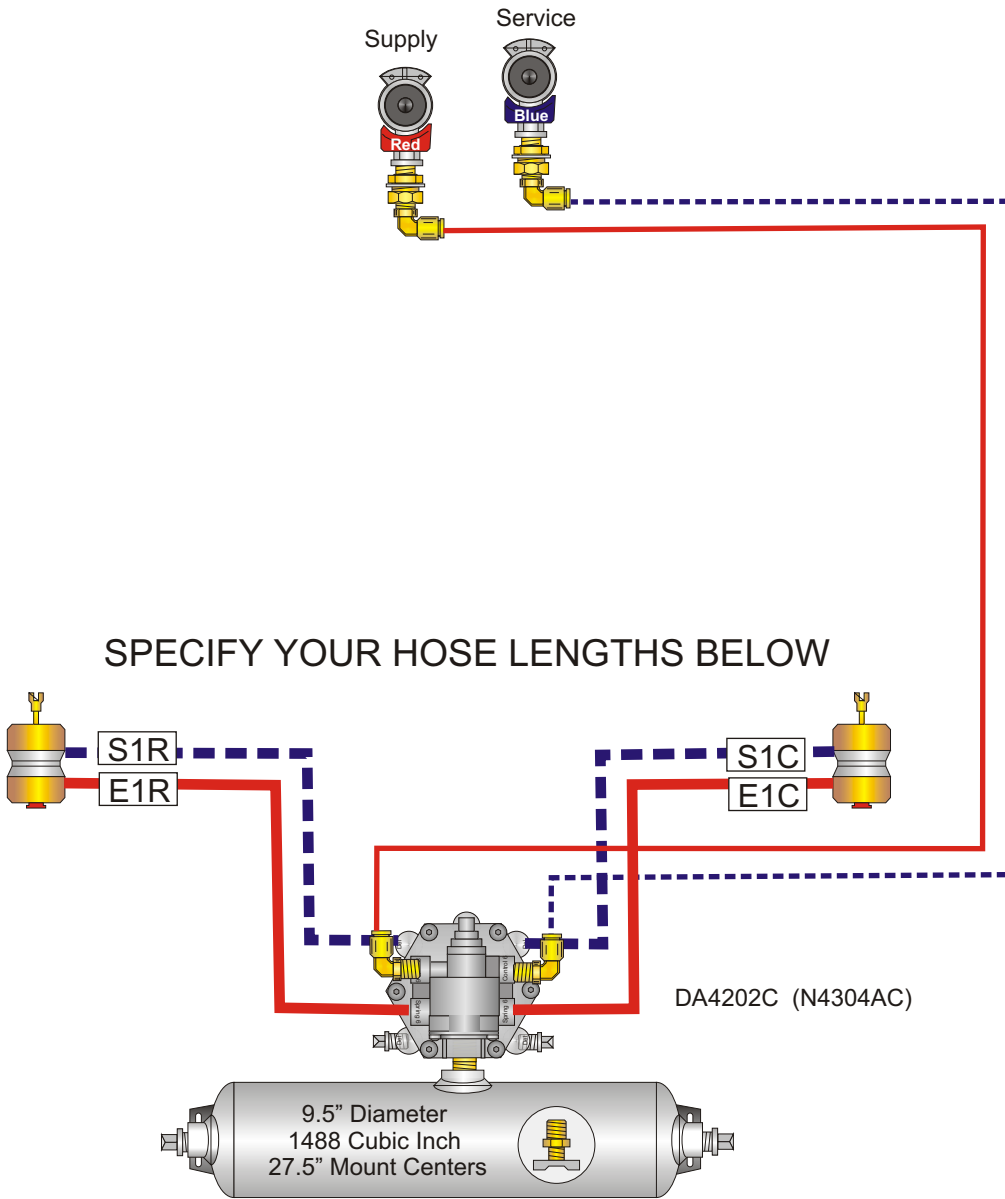
Air tank with installed drain valve and plugged unused ports

Air tank mounting kit with pads, bolts, washers and lock nuts

Brake valve(s) are installed and include push to connect fittings

Hoses with swivel hose ends are installed to valve(s)

Hose separators



SPECIFY YOUR HOSE LENGTHS BELOW

SPECIFY HOSE LENGTH IN INCHES  
EMERGENCY:

E1R	E1C
E2R	E2C
E3R	E3C

SERVICE:

S1R	S1C
S2R	S2C
S3R	S3C
S4R	S4C

— — — Service Hose    — — — Supply Hose  
- - - - - Service Tube    - - - - - Supply Tube

**Specifications:**

Hoses meet J1402 & JT106 specifications and are 3/8 ID unless otherwise noted. Reservoirs meet J10B specifications  
 Pipe fittings are brass or plated SH80 steel. Push-in style 3/8 tube fittings standard. ABS Electronics pre-tested before shipment.